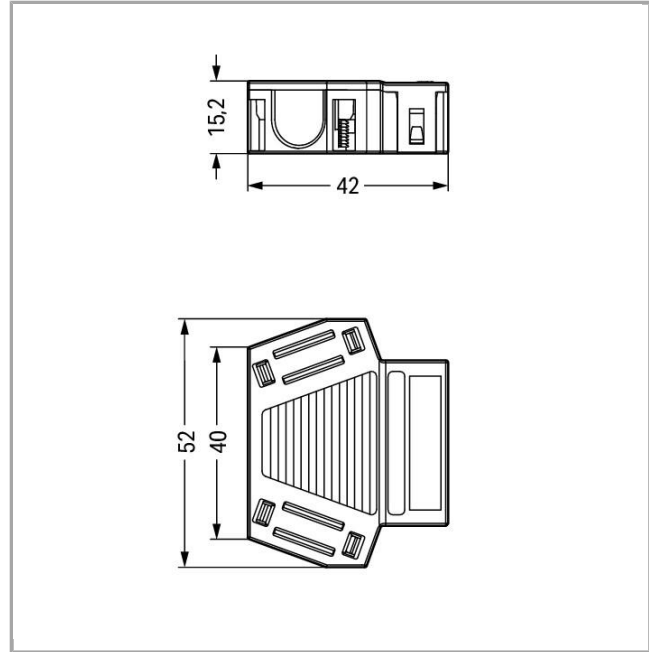
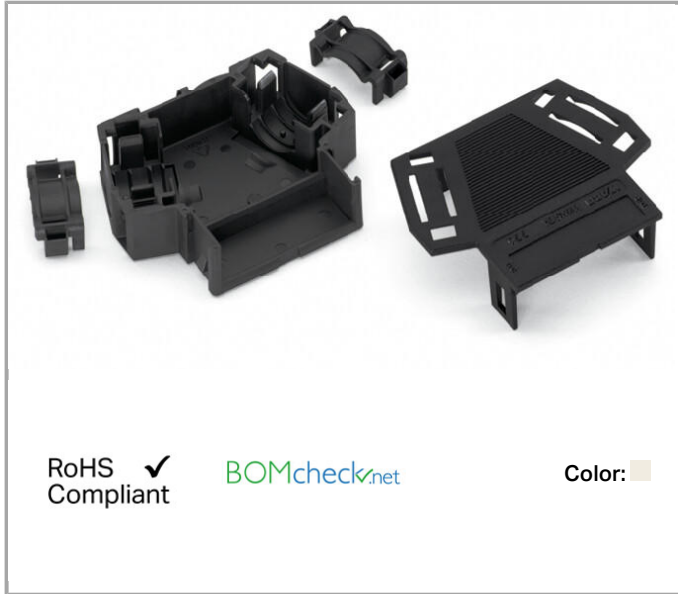


Data sheet | Item number: 770-513/032-000

Strain relief housing; 3-pole; for 2 cables; 8.0 ... 11.5 mm; 55 mm



770-513/032-000



Data

Electrical data

Note on Contact Resistance

approx. 1m Ω contact resistance

approx. 0.25m Ω contact transition plug/socket

Connection data

No. of poles	3
Connectable sheathed cable diameter	8 ... 11.5 mm
Strip length	55 mm

Mechanical data

Protection class	IP20
Note on protection class	Only in mated condition with strain relief housing (These compact connectors are not designed for use in open, easily accessible areas.)

Plug connection

Mismating protection	Yes
Locking of plug-in connection	locking lever

Material Data

Color	white
Insulating material	Polyamide 66 (PA 66)
Flammability class per UL94	V0
Contact material	Copper or copper alloy, surface-treated
Fire load	0.335 MJ
Weight	11.01 g

Environmental Requirements




Surrounding air (operating) temperature	-35 ... 85 °C
Processing temperature	-5 ... +40 °C
Continuous operating temperature	-35 ... +85 °C
Note on Continuous Service Temperature	Insulating parts for temperatures \leq 105 °C

Commercial data

Product Group	20 (WINSTA)
Country of origin	DE
GTIN	4044918102438
Customs Tariff No.	85369010000


Approvals / Certificates

Ship Approvals

Logo	Approval	Additional Approval Text	Certificate name
	DNV GL Det Norske Veritas, Germanischer Lloyd	-	TAE00001Z6
	DNV GL Det Norske Veritas, Germanischer Lloyd	-	TAE00001Z6
	LR Lloyds Register	IEC 61984	02/20050 (E6)



UL-Approvals

Logo	Approval	Additional Approval Text	Certificate name
	cURus Underwriters Laboratories Inc.	UL 1977	E45171 Sec. 9

Compatible products

Marking accessories

Item no.: 210-333 Marking strips; as a DIN A4 sheet; Strip width 6 mm; Strip length 182 mm; plain; Self-adhesive	210-333
---	---------

Downloads

Documentation

Bid Text

770-513/032-000 WINSTA MIDI 3-polig	Apr 4, 2012	doc 24.1 kB	Download
--	-------------	----------------	----------

CAD/CAE - Smart Data

CAD data

3D Download 770-513/032-000	URL	Download
-----------------------------	-----	----------

Subject to changes.